

Cross Flow Fans

TF/FF Series

Cross flow fans are particularly indicated for big air volume in limited space, with low noise and at the same time regular flow.

FF-FFD series also offer a fixing system with 4+4 extensions put on the side.

Cross Flow Fans TF/FF Series

Technical Specifications

- single phase, 2 shaded poles, impedance protected motor, built complying "CE" standards, with self-lubricating and self-aligning sleeve bearings, with big oil reservoir;
- motor with "F" insulation class (155°C);
- suitable for continuous duty with room temperature between -10°C and + 60°C;
- electric supply by 6,3x0,8mm male faston-type connectors, directly fixed on coil;
- ø 60mm fan blade with curved forward pales, made with strengthening intermediate discs, with constant thickness;
- housing made of zinc coated metal plate.

On Request



- motor with "H" insulation class (180°C);
- operating voltages between 12V and 400V 50/60Hz;
- version with double voltage and/or double rotation speed;
- electric supply with flying cables of various lengths;
- protection against dust and/or humidity;
- coil bobbin with "IP56" protection class;
- thermal protector and/or thermal cut off protection;
- housing made with superficial cataphoresis treatment;
- "HT" version for functioning between -30°C and + 100°C;
- built complying UL-CSA standards;
- "BB version" with two 626ZZ ball bearings type on the motor;
- "BBBLV" version with two 626ZZ ball bearings type on the motor and 624ZZ ball bearings type on the fan wheel side;
- AISI steel driving shaft 420 with milled plane.



ID code

TFR18035T1R|FNHT|BBBLV|VR230|50|

1 2 3 4 5 6 7 8 9 10 11 12 13

- | | |
|--|--|
| 1) series
TF: "standard" housing
FF: housing with extra fixing points | 7) electric supply
R: radial faston type connectors
A: axial faston type connectors
C: flying cable |
| 2) motor position
R: motor on the right side, respect to air outlet
L: motor on the left side, respect to air outlet | 8) motor position
fn - dc - sc - ic - fc - sn - dn - in |
|  TFR/FFR
 TFL/FFL | 9) on request (*)
HT: High temperature
IV/IM-PRN: Low temperature with high humidity rate 92%
INC: Low temperature with high humidity rate IP56 |
| 3) fan blade nominal length
90 - 120 - 180 - 240 - 270 - 300 - 360 mm | 10) on request
BB = ball bearings on the motor
BBBLV = ball bearings on the motor and on the fan wheel side |
| 4) motor stack height
10-15-20-30-35-40mm | 11) on request
cooling wheel on the motor side |
| 5) thermal protection
T: thermal protector
F: thermal cut off
blank: impedance protected | 12) operating voltage |
| 6) coil bobbin code | 13) rated frequency |

(*) impregnated versions:

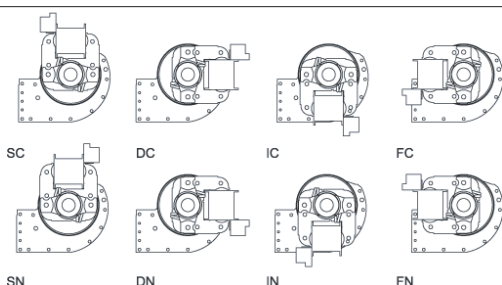
IV Version: impregnated coil bobbin through immersion in epoxydic varnish (classic impregnation of stators);

PRN Version: coil bobbin spread with black epoxydic resin, the bobbin is protected by a visible layer of resin;

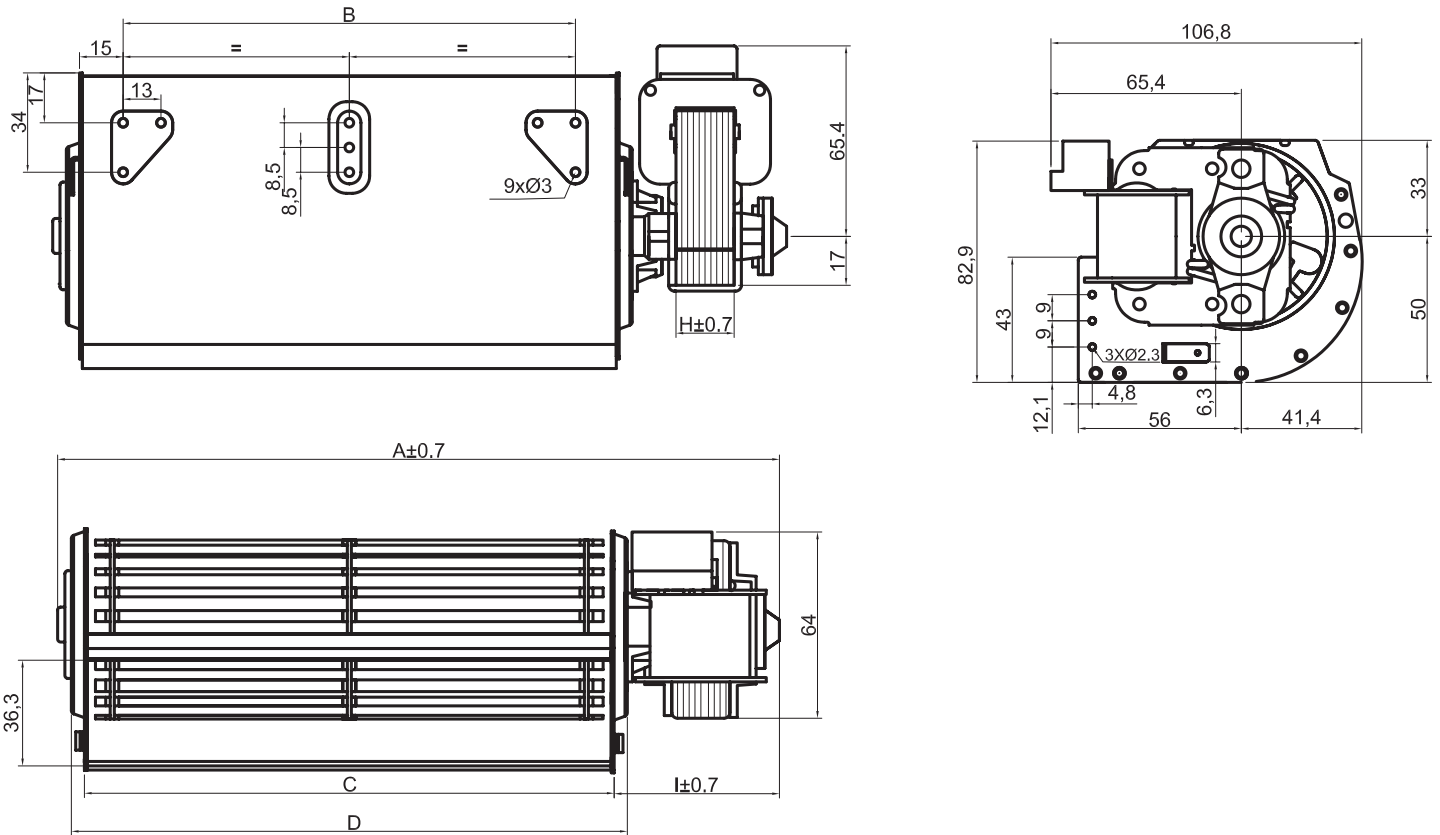
IM Version: the coil bobbin is impregnated through immersion in epoxydic varnish with silicon put in the contacts zone at the end of the winding and 3 cores cable, the bobbin is covered by a nylon cap. The coil bobbin is not submerged in the resin, but well visible, it should be necessary to pay attention and to place the motor in a way that the open part of the cap will be directed downward in order to prevent that it could fill up of humidity;

INC Version: coil bobbin in "IP56", the bobbin is completely submerged in the epoxydic resin.

Motor position



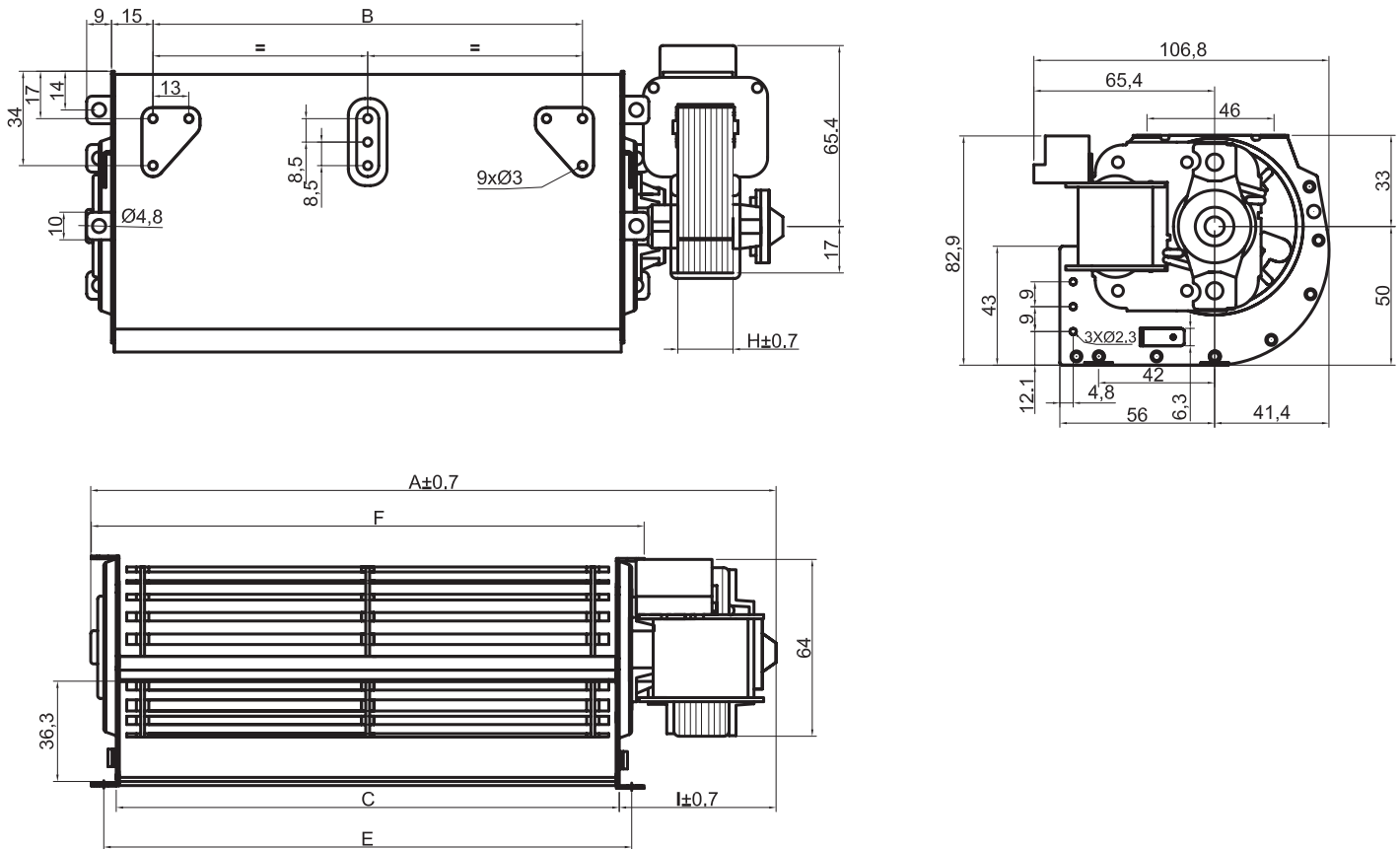
TF Dimensions



TF Versions

Series	Motor	Dimensions						Input power W	Input current A	Free air RPM	Free air flow rate	Static pressure PA
		A	B	C	D	H	I					
TF90/15	15-1	156	64	94	104	15	53.5	18	0,140	1900	60	60
TF90/20	20-1	162	64	94	104	20	58.5	23	0,150	2400	80	62
TF120/15	15-1	186	94	124	134	15	53.5	19	0,160	1600	85	58
TF120/20	20-1	191	94	124	134	20	58.5	24	0,170	2150	110	62
TF180/15	15-1	246	154	184	194	15	53.5	19	0,150	1300	100	55
TF180/20	20-1	251	154	184	194	20	58.5	25	0,180	1600	125	60
TF180/30	30-1	261	154	184	194	30	68.5	37	0,280	2400	180	63
TF180/35	35-1	266	154	184	194	35	73.5	42	0,320	2550	200	65
TF240/20	20-1	311	214	244	254	20	58.5	25	0,190	1250	125	55
TF240/35	35-1	326	214	244	254	35	73.5	46	0,340	2500	240	64
TF270/20	20-1	341	244	274	284	20	58.5	26	0,200	1100	130	53
TF270/35	35-1	356	244	274	284	35	73.5	49	0,350	2250	260	63
TF300/20	20-1	371	274	304	314	20	58.5	25	0,195	1200	171	51
TF300/30	30-1	381	274	304	314	30	68.5	43	0,320	1900	270	61
TF300/40	40-1	391	274	304	314	40	78.5	53	0,400	2300	330	64
TF360/20	20-1	431	334	364	374	20	58.5	26	0,195	1050	180	48
TF360/30	30-1	441	334	364	374	30	68.5	45	0,325	1700	285	60
TF360/40	40-1	451	334	364	374	40	78.5	55	0,450	2200	370	62

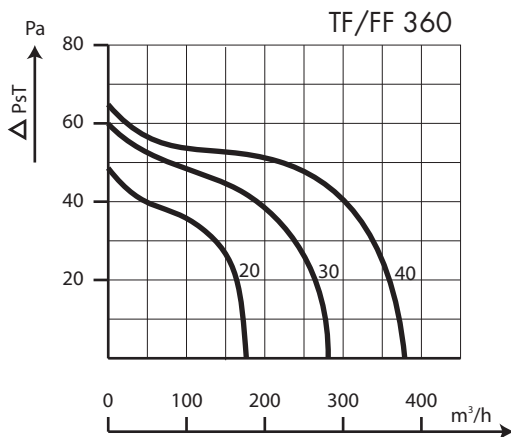
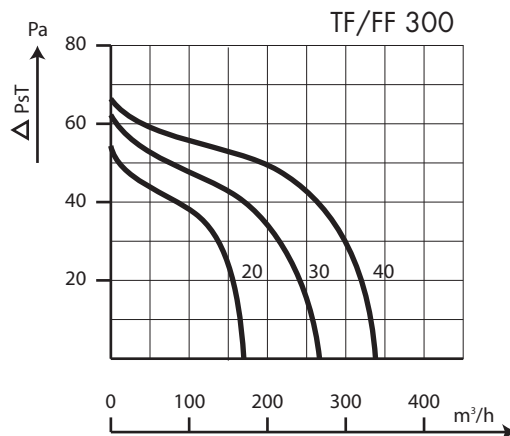
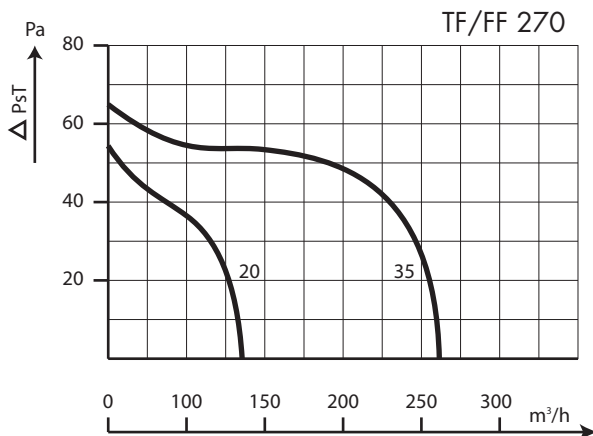
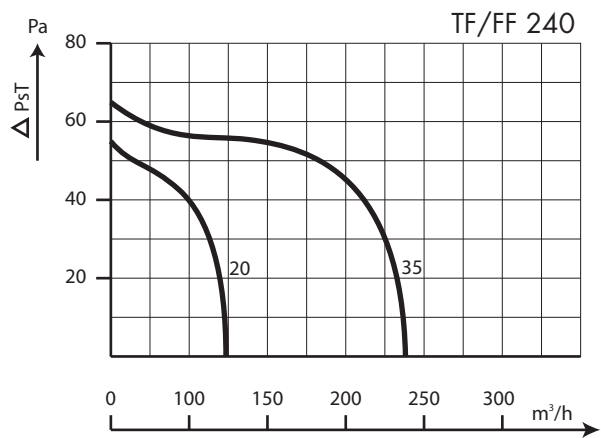
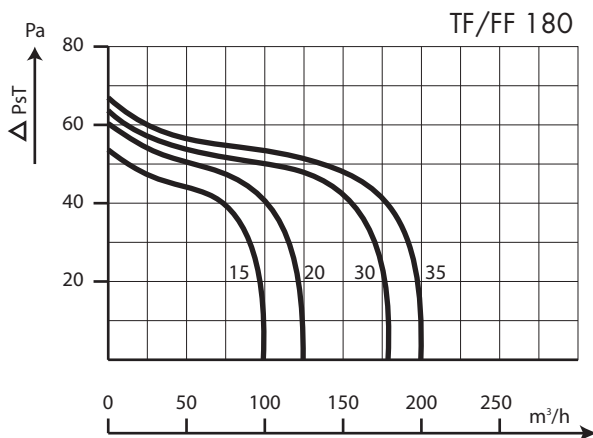
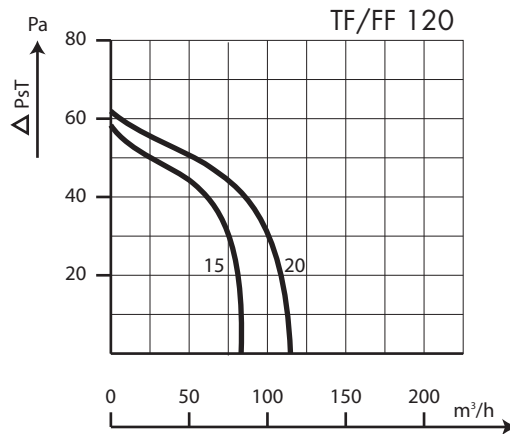
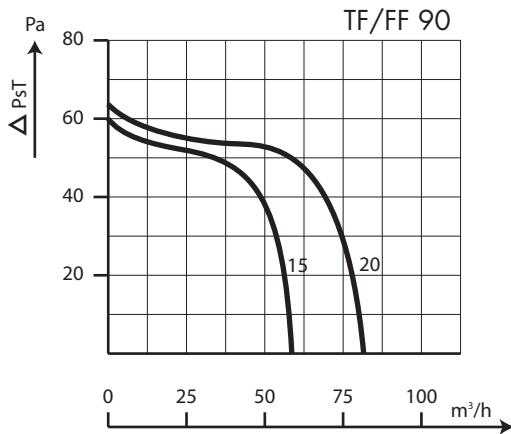
FF Dimensions



FF Versions

Series	Motor	Dimensions							Input power W	Input current A	Free air RPM	Free air flow rate	Static pressure PA
		A	B	C	E	F	H	I					
FF90/15	15-1	156	64	94	103	112	15	53.5	18	0,140	1900	60	60
FF90/20	20-1	162	64	94	103	112	20	58.5	23	0,150	2400	80	62
FF120/15	15-1	186	94	124	133	142	15	53.5	19	0,160	1600	85	58
FF120/20	20-1	191	94	124	133	142	20	58.5	24	0,170	2150	110	62
FF180/15	15-1	246	154	184	193	202	15	53.5	19	0,150	1300	100	55
FF180/20	20-1	251	154	184	193	202	20	58.5	25	0,180	1600	125	60
FF180/30	30-1	261	154	184	193	202	30	68.5	37	0,280	2400	180	63
FF180/35	35-1	266	154	184	163	202	202	35	42	0,320	2550	200	65
FF240/20	20-1	311	214	244	253	262	20	58.5	25	0,190	1250	125	55
FF240/35	35-1	326	214	244	253	262	35	73.5	46	0,340	2500	240	64
FF270/20	20-1	341	244	274	283	292	20	58.5	26	0,200	1100	130	53
FF270/35	35-1	356	244	274	283	292	35	73.5	49	0,350	2250	260	63
FF300/20	20-1	371	274	304	313	322	20	58.5	25	0,195	1200	171	51
FF300/30	30-1	381	274	304	313	322	30	68.5	43	0,320	1900	270	61
FF300/40	40-1	391	274	304	313	322	40	78.5	53	0,400	2300	330	64
FF360/20	20-1	431	334	364	373	382	20	58.5	26	0,195	1050	180	48
FF360/30	30-1	441	334	364	373	382	30	68.5	45	0,325	1700	285	60
FF360/40	40-1	451	334	364	373	382	40	78.5	55	0,450	2200	370	62

Static Pressure Curve



coprel s.r.l.

Via Martiri della Resistenza, 8
20090 Fizzonasco di Pieve Emanuele (Milano - Italy)

tel. +39 (02) 907.24.064

Fax +39 (02) 907.25.102

e-mail: info@coprel.com

web: <http://www.coprel.com>

All motors, fans and blowers are manufactured in our factory in Pieve Emanuele (Milano – Italy).
Dimensions and specifications can vary. We reserve ourselves the right to make changes anytime we consider it's the case.

Cross Flow Fans

TFD/FFD Series

Cross flow fans are particularly indicated for big air volume in limited space, with low noise and at the same time regular flow.

FF-FFD series also offer a fixing system with 4+4 extensions put on the side.

Cross Flow Fans TFD/FFD Serie

Technical Specifications

- single phase, 2 shaded poles, impedance protected motor, built complying "CE" standards, with self-lubricating and self-aligning sleeve bearings, with big oil reservoir;
- motor with "F" insulation class (155°C);
- suitable for continuous duty with room temperature between -10°C and + 60°C;
- electric supply by 6,3x0,8mm male faston-type connectors, directly fixed on coil;
- ø 60mm fan blade with curved forward pales, made with strengthening intermediate discs, with constant thickness;
- housing made of zinc coated metal plate.

On Request

- motor with "H" insulation class (180°C);
- operating voltages between 12V and 400V 50/60Hz;
- version with double voltage and/or double rotation speed;
- electric supply with flying cables of various lengths;
- protection against dust and/or humidity;
- coil bobbin with "IP56" protection class;
- thermal protector and/or thermal cut off protection;
- housing made with superficial cataphoresis treatment;
- "HT" version for functioning between -30°C and + 100°C;
- built complying UL-CSA standards;
- "BB version" with two 626ZZ ball bearings type on the motor;
- "BBBLV" version with two 626ZZ ball bearings type on the motor and 624ZZ ball bearings type on the fan wheel side;
- AISI steel driving shaft 420 with milled plane.

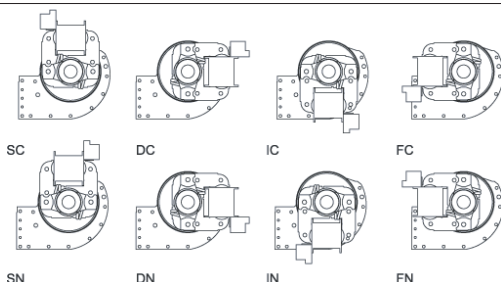


ID code

TFD|180|35T|1|RFN|HT|BBBLV|230|50|

- | | |
|--|--|
| 1) series
TFD: "standard" housing
FFD: housing with extra fixing points | 7) motor position
fn - dc - sc - ic - fc - sn - dn - in |
| 2) fan blade nominal length
90 - 120 - 180 - 240 - 270 - 300 - 360 mm | 8) on request (*)
HT: High temperature
IV-IM-PRN: Low temperature with high humidity rate 92%
INC: Low temperature with high humidity rate IP56 |
| 3) motor stack height
10-15-20-30-35-40mm | 9) on request
BB: ball bearings on the motor
BBBLV: ball bearings on the motor and on the fan wheel side |
| 4) thermal protection
T: thermal protector
F: thermal cut off
blank: impedance protected | 10) operating voltage |
| 5) coil bobbin code | 11) rated frequency |
| 6) electric supply
R: radial faston type connectors
A: axial faston type connectors
C: flying cable | |

Motor Position



(*) impregnated versions:

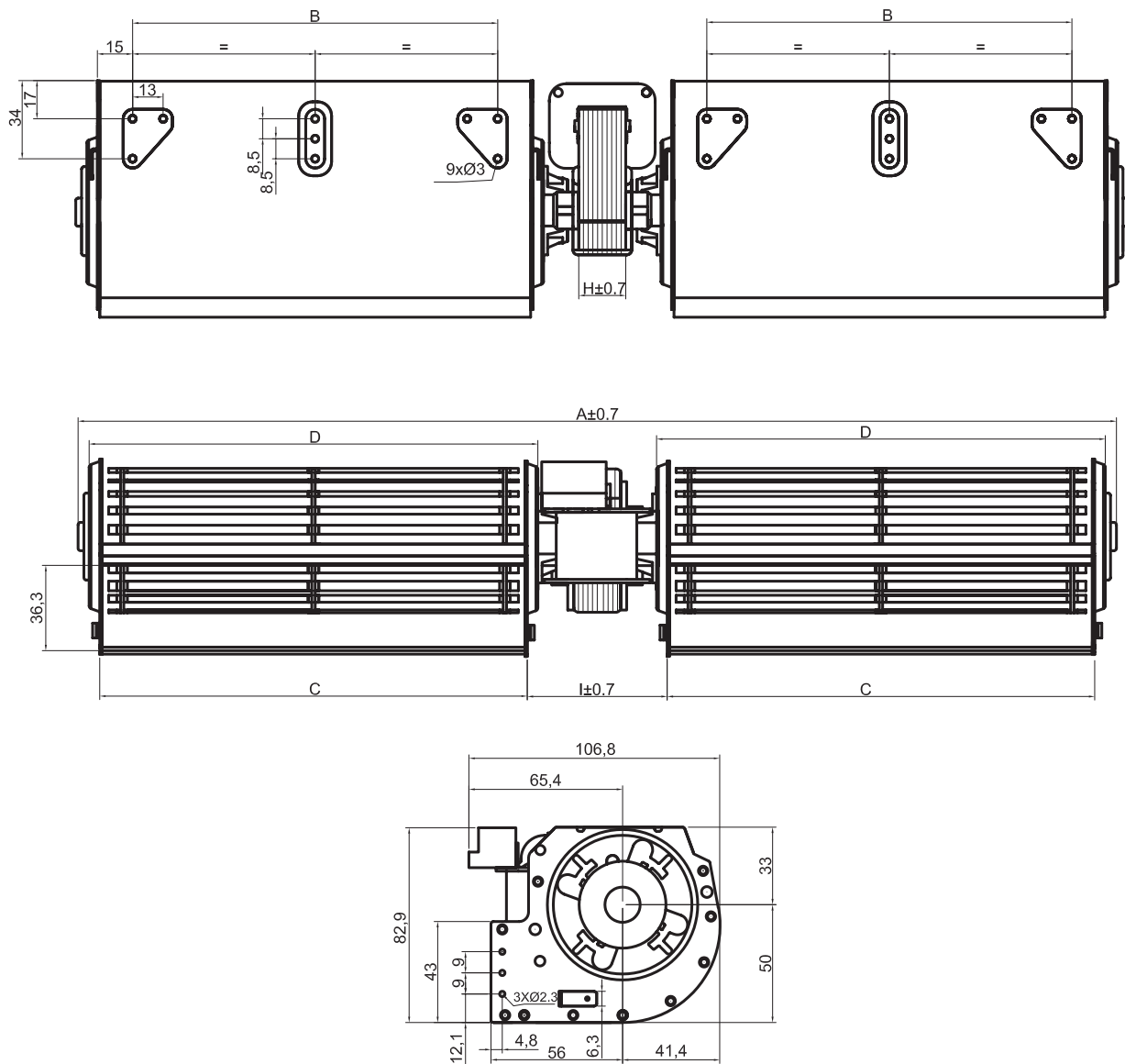
IV Version: impregnated coil bobbin through immersion in epoxydic varnish (classic impregnation of stators);

PRN Version: coil bobbin spread with black epoxydic resin, the bobbin is protected by a visible layer of resin;

IM Version: the coil bobbin is impregnated through immersion in epoxydic varnish with silicon put in the contacts zone at the end of the winding and 3 cores cable, the bobbin is covered by a nylon cap. The coil bobbin is not submerged in the resin, but well visible, it should be necessary to pay attention and to place the motor in a way that the open part of the cap will be directed downward in order to prevent that it could fill up of humidity;

INC Version: coil bobbin in "IP56", the bobbin is completely submerged in the epoxydic resin.

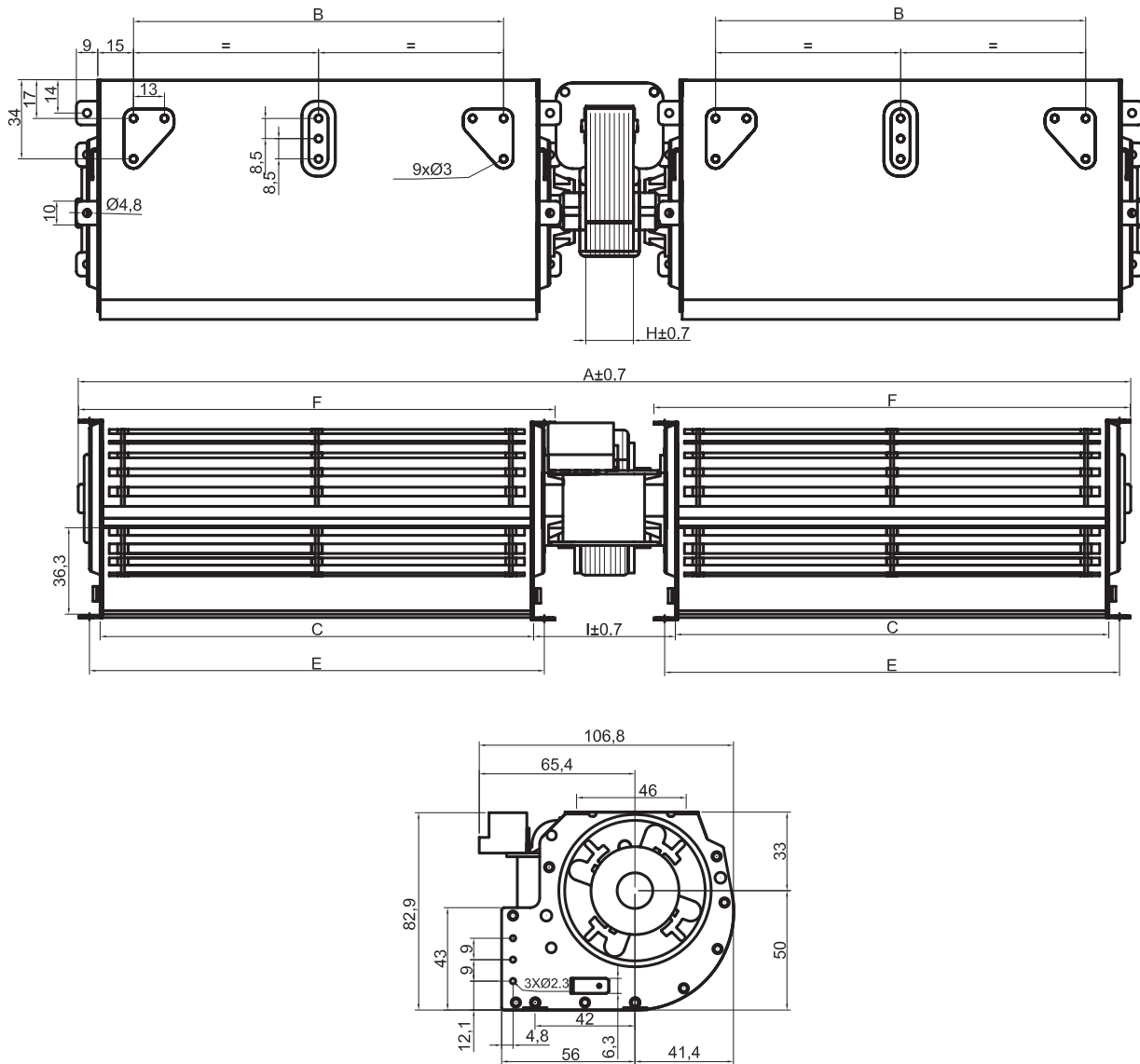
TFD Dimensions



TFD Versions

Series	Motor	Dimensions						Input power W	Input current A	Free air RPM	Free air flow rate	Static pressure PA
		A	B	C	D	H	I					
TFD180/20	20-1	445	154	184	194	20	61	29	0,190	980	150	44
TFD180/30	30-1	455	154	184	194	30	71	45	0,325	1600	240	55
TFD180/35	35-1	460	154	184	194	35	76	50	0,400	2150	322	58
TFD240/30	30-1	565	214	244	254	30	71	46	0,330	1060	212	51
TFD240/35	35-1	570	214	244	254	35	76	52	0,395	1550	290	55
TFD240/40	40-1	575	214	244	254	40	81	56	0,415	1750	330	60
TFD270/30	30-1	625	244	274	284	30	71	46	0,340	1050	245	49
TFD270/40	40-1	635	244	274	284	40	81	52	0,37	1340	320	55
TFD300/30	30-1	685	274	304	314	30	71	42	0,315	1100	310	49
TFD300/40	40-1	695	274	304	314	40	81	53	0,38	1290	360	54
TFD360/30	30-1	805	334	364	374	30	71	43	0,320	1050	350	47
TFD360/40	40-1	815	334	364	374	40	81	54	0,382	1240	410	51

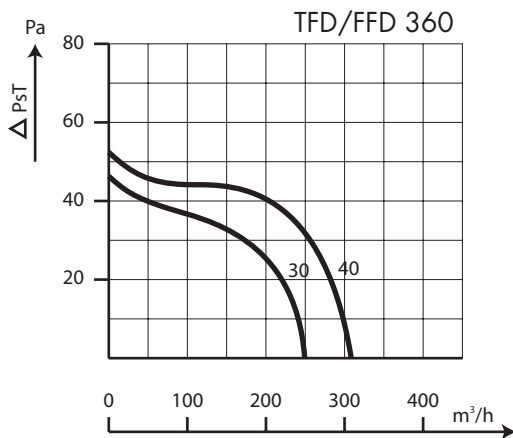
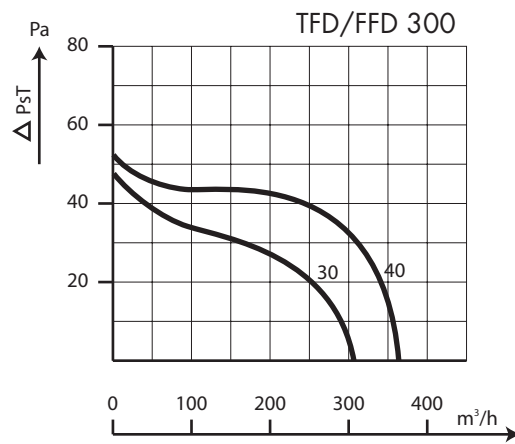
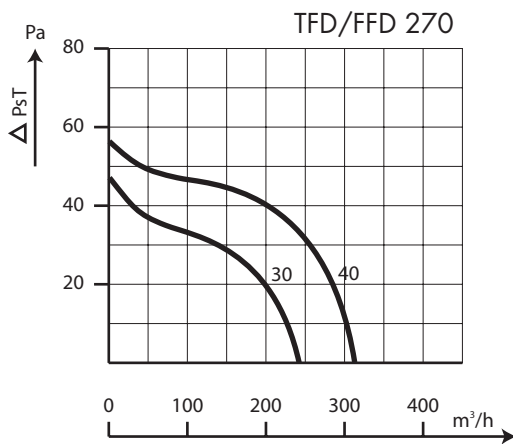
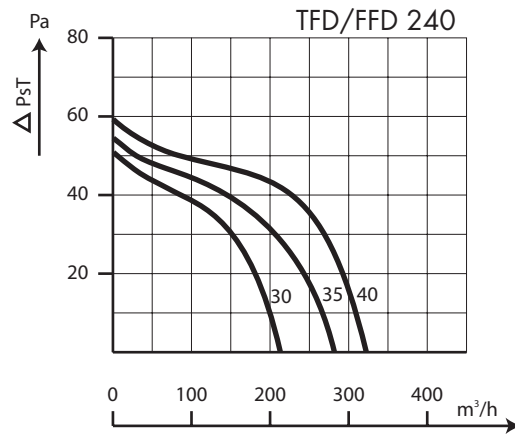
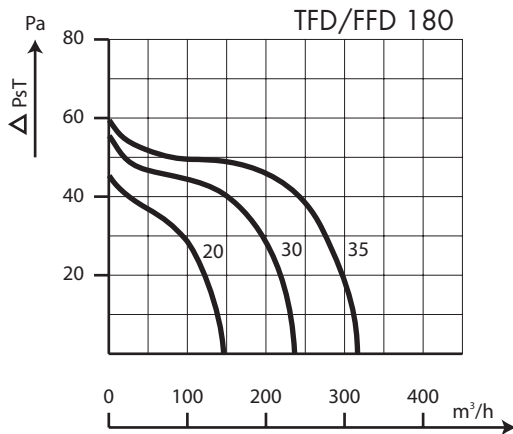
FFD Dimensions



FFD Versions

Series	Motor	Dimensions							Input power W	Input current A	Free air RPM	Free air flow rate	Static pressure PA
		A	B	C	E	F	H	I					
FFD180/20	20-1	445	154	184	193	202	20	61	29	0,190	980	150	44
FFD180/30	30-1	455	154	184	193	202	30	71	45	0,325	1600	240	55
FFD180/35	35-1	460	154	184	193	202	35	76	50	0,400	2150	322	58
FFD240/30	30-1	565	214	244	253	262	30	71	46	0,330	1060	212	51
FFD240/35	35-1	570	214	244	253	262	35	76	52	0,395	1550	290	55
FFD240/40	40-1	575	214	244	253	262	40	81	56	0,415	1750	330	60
FFD270/30	30-1	625	244	274	283	292	30	71	46	0,340	1050	245	49
FFD270/40	40-1	635	244	274	283	292	40	81	52	0,37	1340	320	55
FFD300/30	30-1	685	274	304	313	322	30	71	42	0,315	1100	310	49
FFD300/40	40-1	695	274	304	313	322	40	81	53	0,38	1290	360	54
FFD360/30	30-1	805	334	364	373	382	30	71	43	0,320	1050	350	47
FFD360/40	40-1	815	334	364	373	382	40	81	54	0,382	1240	410	51

Static Pressure Curve



coprel sas di Ripamonti Luigi e C.

Via Martiri della Resistenza, 8
20090 Fizzonasco di Pieve Emanuele (Milano - Italy)

tel. +39 (02) 907.24.064

Fax +39 (02) 907.25.102

e-mail: info@coprel.com

web: <http://www.coprel.com>

All motors, fans and blowers are manufactured in our factory in Pieve Emanuele (Milano – Italy).
Dimensions and specifications can vary. We reserve ourselves the right to make changes anytime we consider it's the case.