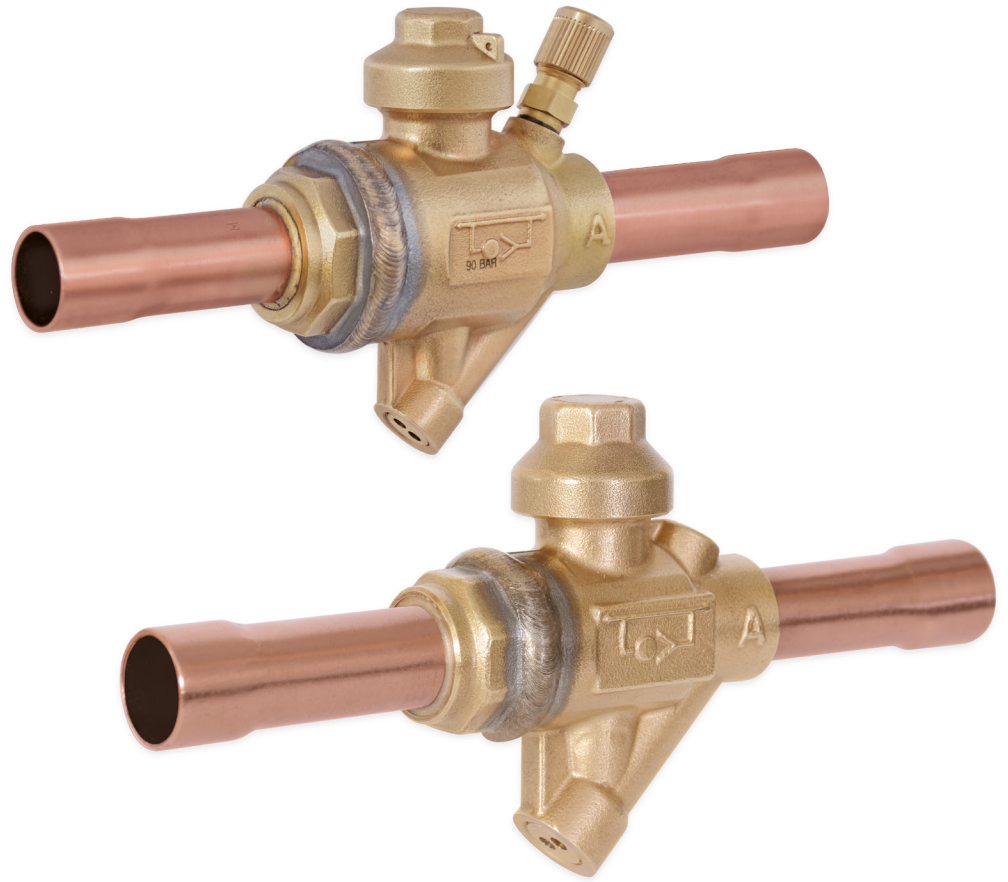




aerospace  
climate control  
electromechanical  
filtration  
fluid & gas handling  
hydraulics  
pneumatics  
process control  
sealing & shielding



# Ball valve with integral pressure relief

EBV(T)-PR Series

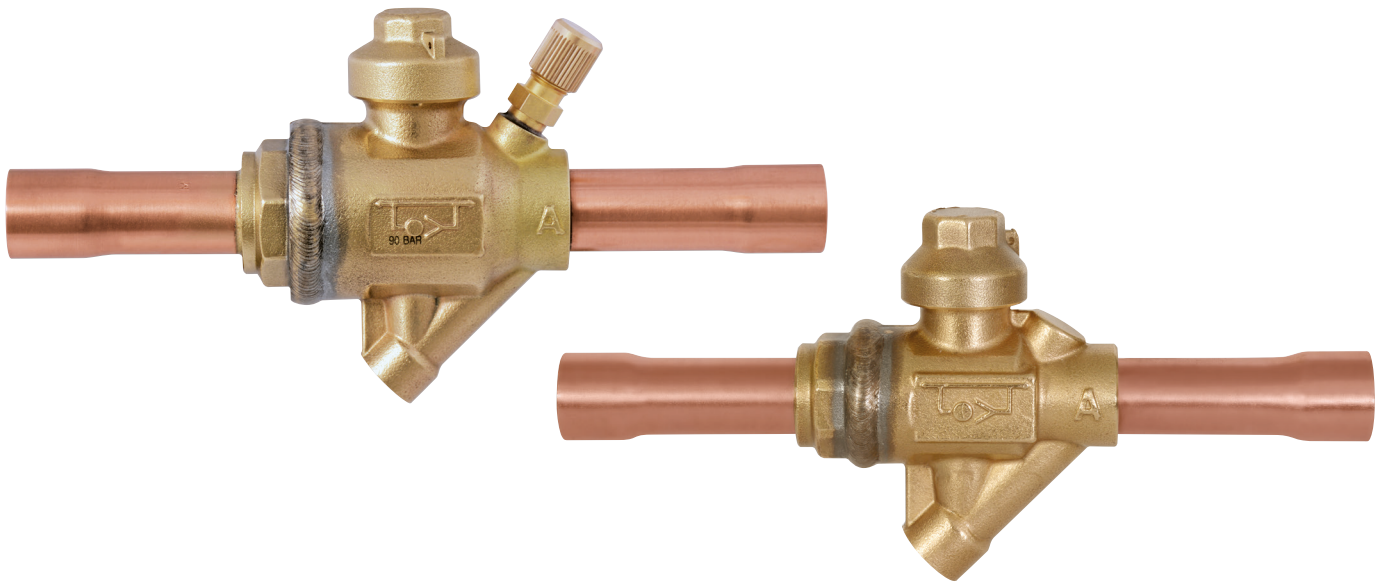


ENGINEERING YOUR SUCCESS



# BALL VALVE WITH INTEGRAL PRESSURE RELIEF

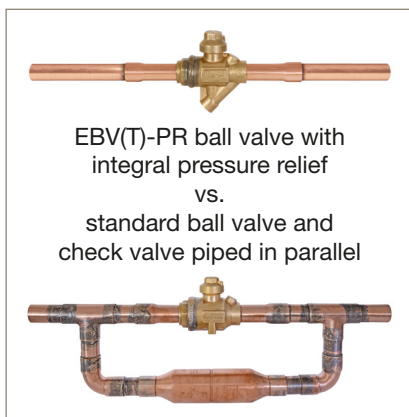
EBV(T)-PR Series



## Advantages

For greater system design flexibility and increased productivity, specify the **EBV(T)-PR ball valve with integral pressure relief**. This compact solution eliminates the check valve and associated brazing involved when piping a ball valve and check valve in parallel to protect a system from over pressurization.

- Compact design **simplifies installation**
- Eliminates the check valve and associated piping, resulting in significant **material cost savings**
- Decreases braze joints resulting in **labor savings and increased productivity**
- Minimizes the potential for leaks and decreases nuisance call-backs



EBV(T)-PR ball valve with  
integral pressure relief  
vs.  
standard ball valve and  
check valve piped in parallel

## Features

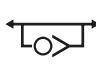
- Allows for positive shut off in one direction and flow in the other direction whenever pressure differential is present (the integrated pressure relief feature is one direction only)
- Protects system from pressure spikes when servicing equipment
- Welded body joint. Factory tested to ensure positive, leak-free performance. Forged brass body construction with extended K65® fittings and optional access fittings
- Full size ports for unrestricted flow on most sizes 10 mm (3/8") through 28 mm (1-1/8")
- Dual Teflon seals surround the polished, brass ball to prevent leakage. Stem seal and stem washer provide the primary stem seal. Bottom load stem for safety
- Stainless steel stop plate ensures fully open to fully closed with a 1/4 turn
- All EBV(T)-PR ball valves use C19400 (K65) copper fitting material.

# Specifications

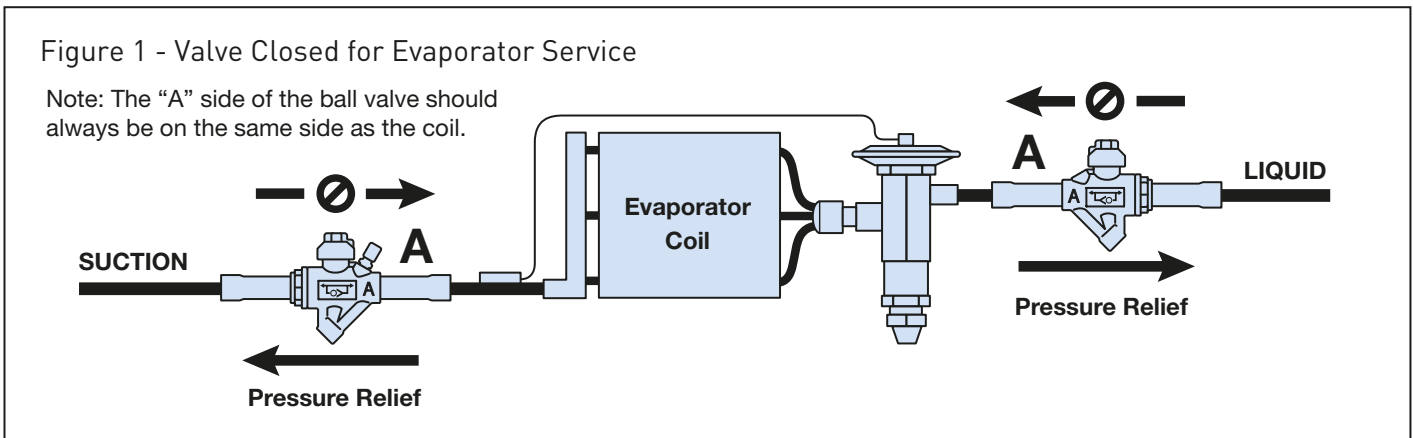
The EBV(T)-PR valve will close in one direction and relieve pressure in the other direction. This single valve would replace a current ball valve plus a check valve plumbed around the ball valve.

Allows evaporator coil to be isolated without over pressurizing due to warm up. May also have needs in loop piping and at the rack.

The symbol 'A' indicates the pressure relief side of the valve. Any pressure build up on the 'A' side with the ball valve in the closed position can relieve to the other side of the ball valve. When used on an evaporator coil, the 'A' side of the valve should always be on the coil side of the valve (refer to Figure 1).

 This symbol indicates the direction of pressure relief and direction of check valve feature. Flow from left to right is check direction. Flow from right to left is pressure relief direction.

**IMPORTANT:** This valve has a pressure relief feature in one direction only. If installed incorrectly, pressures may drastically increase causing rupture of valve, piping and/or other components exposed to such pressure. This could cause damage to equipment and cause injury or possible death to anyone in the area.



## Technical specifications

	EBVT-PR	EBV-PR
Full refrigeration service temperature range	-40°C to +149°C (-40°F to +300°F)	
Design working pressure	90 barg (1.305 psig)	
Integral pressure relief:		
• Crack open pressure	<0,345 bar (5 psid)	
• Full open pressure	3,45 bar (50 psid)	
• Wide open flow	7,30 l/min H <sub>2</sub> O @ 3,45 bar (1.93 gpm H <sub>2</sub> O @ 50 psid)	
For refrigeration or air conditioning systems	✓	
Compatible refrigerants	suitable for use with Class A1 refrigerants: HFC, HCFC, HFO and CO <sub>2</sub>	
Patents	US Patent 10,107,406; International Patents Pending	
Certifications	PED Art. 4.3 - REACH	
Access Fitting	Yes	No

## NOMENCLATURE

Inches - example: EBV(T)-PR1030

EBV	T	-	PR	1	03	0
Valve type	Access fitting	Pressure relief	Series: 1 = Full port 2 = Reduced port	Fitting size: (In eighths of an inch): 03 = 3/8"	Fitting configuration: 0 = ODF x ODF	

Millimeters - example: EBV(T)-PR 12MM

EBV	T	-	PR	12mm
Valve type	Access fitting	Pressure relief	Metric fitting size	Fitting configuration: ODF x ODF

# Dimensions

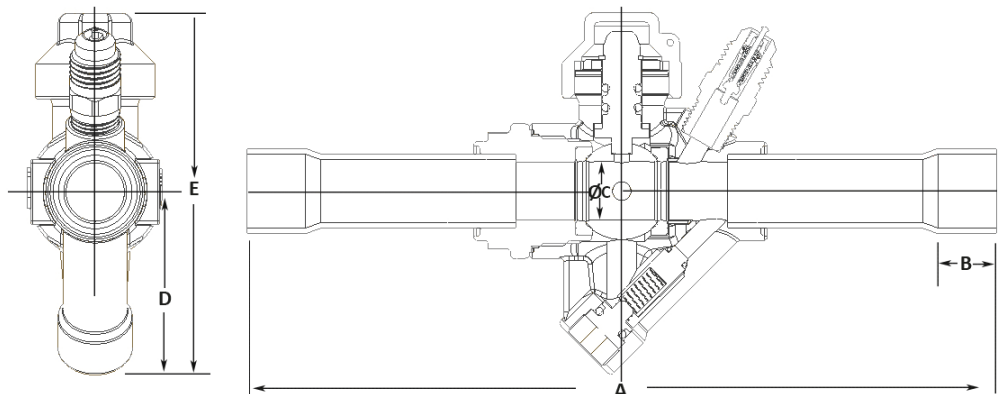
## EBV(T)-PR Series - Imperial

Valve Type	Part Number	Connection (ODF)	Dim. A (mm)	Dim. B (mm)	Dim. C (mm)	Dim. D (mm)	Dim. E (mm)	Kv m <sup>3</sup> /h
EBV-PR-1030	502199	3/8"	165,10	7,87	12,70	39,62	78,23	3,67
EBV-PR-1040	502200	1/2"	165,10	9,65	12,70	39,62	78,23	5,97
EBV-PR-1050	502201	5/8"	165,10	12,70	12,70	39,62	78,23	11,86
EBV-PR-1060	502202	3/4"	184,15	15,75	19,05	45,47	91,19	17,93
EBV-PR-1070	502203	7/8"	184,15	19,05	19,05	45,47	91,19	25,86
EBV-PR-1090	502204	1-1/8"	215,90	23,11	25,40	54,10	104,39	52,29
EBVT-PR-1030	502205	3/8"	165,10	7,87	12,70	39,62	78,23	3,67
EBVT-PR-1040	502206	1/2"	165,10	9,65	12,70	39,62	78,23	5,97
EBVT-PR-1050	502207	5/8"	165,10	12,70	12,70	39,62	78,23	11,86
EBVT-PR-1060	502208	3/4"	184,15	15,75	19,05	45,47	91,19	17,93
EBVT-PR-1070	502209	7/8"	184,15	19,05	19,05	45,47	91,19	25,86
EBVT-PR-1090	502210	1-1/8"	215,90	23,11	25,40	54,10	104,39	52,29

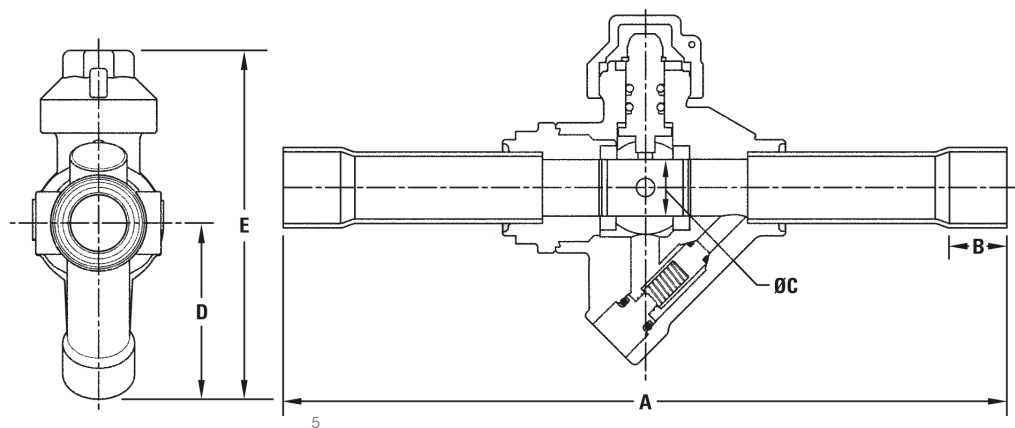
## EBV(T)-PR Series - Metric

Valve Type	Part Number	Connection (ODF)	Dim. A (mm)	Dim. B (mm)	Dim. C (mm)	Dim. D (mm)	Dim. E (mm)	Kv m <sup>3</sup> /h
EBV-PR-10MM	502399	10 mm	165,10	8,00	12,70	39,62	78,23	3,67
EBV-PR-12MM	502400	12 mm	165,10	10,00	12,70	39,62	78,23	5,97
EBV-PR-16MM	502401	16 mm	165,10	13,00	12,70	39,62	78,23	11,86
EBV-PR-18MM	502402	18 mm	184,15	16,00	19,05	45,47	91,19	17,93
EBV-PR-22MM	502403	22 mm	184,15	19,00	19,05	45,47	91,19	25,86
EBV-PR-28MM	502405	28 mm	215,90	24,00	25,40	54,10	104,39	52,29
EBVT-PR-10MM	502406	10 mm	165,10	8,00	12,70	39,62	78,23	3,67
EBVT-PR-12MM	502407	12 mm	165,10	10,00	12,70	39,62	78,23	5,97
EBVT-PR-16MM	502408	16 mm	165,10	13,00	12,70	39,62	78,23	11,86
EBVT-PR-18MM	502409	18 mm	184,15	16,00	19,05	45,47	91,19	17,93
EBVT-PR-22MM	502410	22 mm	184,15	19,00	19,05	45,47	91,19	25,86
EBVT-PR-28MM	502411	28 mm	215,90	24,00	25,40	54,10	104,39	52,29

## EBVT-PR



## EBV-PR







# Parker Worldwide

## United Arab Emirates

### Middle East

**Sarkis OHANNESSIAN**

Tel +961 3334622

sohannessian@parker.com

## Germany, Austria, German speaking part of Switzerland

**Francesco GALANTE**

Tel +49 (0)175 5756 032

francesco.galante@parker.com

## Spain and Portugal

**Alberto PEÑA**

Tel +34 609 153 154

alberto.pena@parker.com

## France, Belgium, French speaking part of Switzerland

**Goska WARNECK**

Tel + 33 (0)6 73 89 36 08

gwarneck@parker.com

## Italy, Greece, Malta, Cyprus

### Italian speaking part of Switzerland

**Andrea BRAGA**

Tel +39 334 6944386

abraga@parker.com

## Baltic Countries, Eastern and Central Europe, Africa

**Eliane EMERIT-BONNOT**

Tel +33 (0)6 73 89 36 01

ebonnot@parker.com

## Turkey

parker.turkey@parker.com

## UK and Northern Europe

**Kenny ADAMSON**

Tel +44 (0)77853 71229

kadamson@parker.com

## Customer Service:

**Parker Hannifin Ltd**

*Instrumentation Group*

*Refrigeration and*

*Air Conditioning Europe*

Manvers House

Office 21

Pioneer Close

Wath Upon Dearne

Rotherham S63 7JZ

United Kingdom

Tel +44 (0) 1709 774600

Fax +44 (0) 1709 774601

racecustomerservice@parker.com

www.parker.com/race



### ▲ WARNING – USER RESPONSIBILITY

**Failure or improper selection or improper use of the products described herein or related items can cause death, personal injury and property damage.**

This document and other information from Parker Hannifin Corporation, its subsidiaries and authorized distributors provide product or system options for further investigation by users having technical expertise.

The user, through its own analysis and testing, is solely responsible for making the final selection of the system and components and assuring that all performance, endurance, maintenance, safety and warning requirements of the application are met. The user must analyze all aspects of the application, follow applicable industry standards, and follow the information concerning the product in the current product catalog and in any other materials provided from Parker or its subsidiaries or authorized distributors.

To the extent that Parker or its subsidiaries or authorized distributors provide component or system options based upon data or specifications provided by the user, the user is responsible for determining that such data and specifications are suitable and sufficient for all applications and reasonably foreseeable uses of the components or systems.

