

SPECIFICATIONS FOR APPROVAL

Axial Fan

Model: 12038B2HT

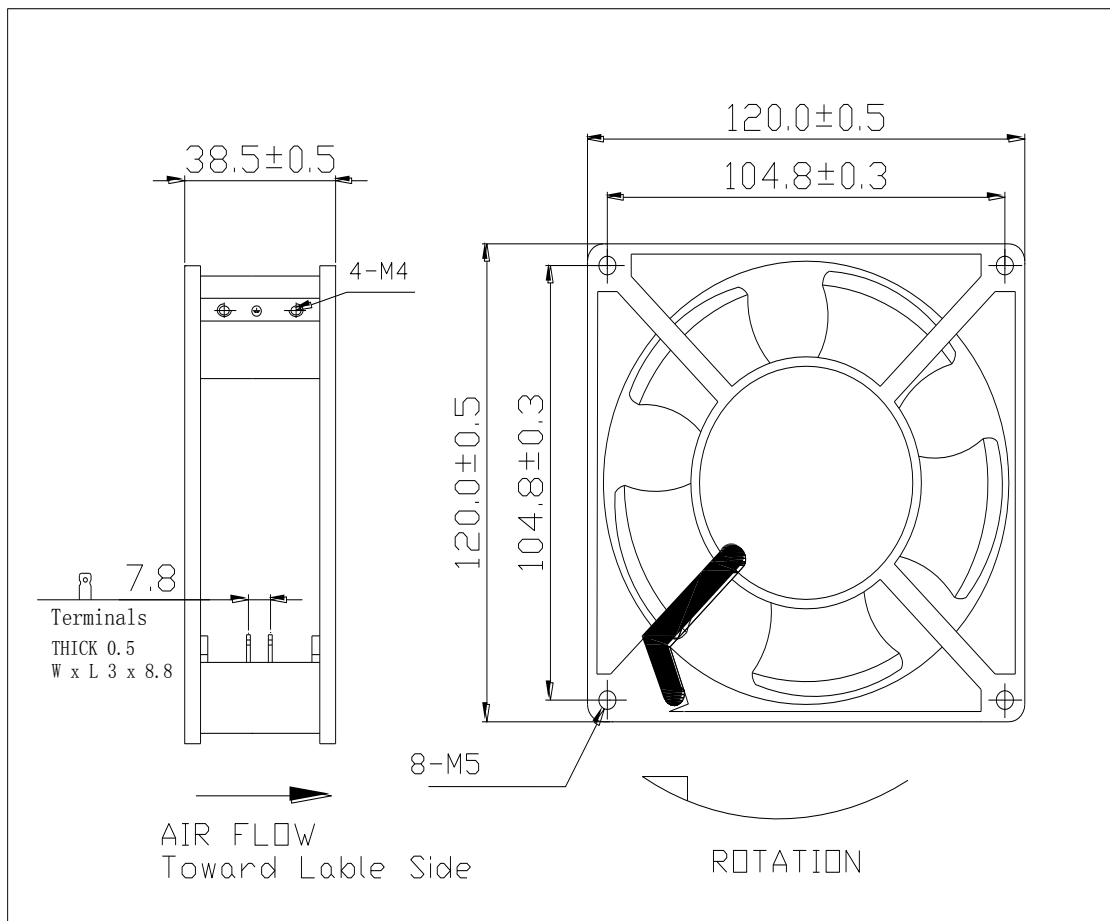
AC220V 50/60Hz 0.13/0.11A

Customer :	Ref:		
Model No. :	12038B2HT		
Samples attached :			
SPECIFITION *****			
<u>Item</u>	<u>Specification/Condition</u>		
Dimension	:	120x120x38	mm
Bearing System	:	BALL BEARING	
Rated Voltage	:	220 VAC	50/60Hz
Operating Voltage	:	200 VAC—240 VAC	
Start-up Voltage	:	160 VAC	NORMALLY
Rated Current	:	0.13/0.11±10%	Amp NORMALLY
Rated Power	:	17/15±10%	Watt NORMALLY
Rated Speed	:	2650/3000±10%	RPM
Air Flow	:	2.44/2.72 m ³ /min (86/96CFM)	
Static Air Pressure	:	7.5/7.8mmH ₂ O	
Noise Level	:	43/47dBA	
Motor Protection Type	:	BY IMPEDANCE	
Life Expectance	:	50000 Hours at Room Temperature	
Operation Temperature	:	-20°C to +70°C	
Net Weight	:	480 Grams	
Packing	:	40 Pcs Per Export Carton	
	Model No.: 12038B2HT		
	Approved By:	Checked By:	Prepared By:

MATERIAL

1. Impeller : Thermoplastic PBT of UL 94V-0
2. Bobbin : Thermoplastic PA66 of UL 94V-0
3. Lead Wire : UL 1430 AWG#22
4. Housing: Die-cast aluminum

DIMENSIONS: MM



Performance Curve

